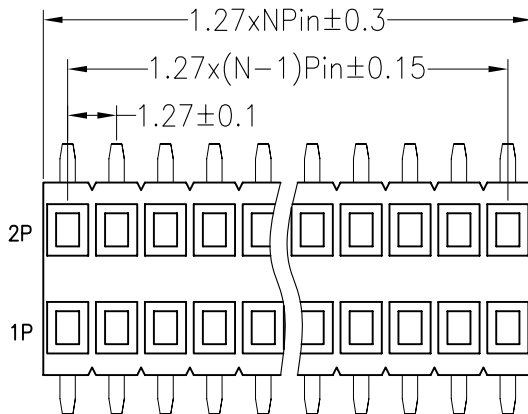




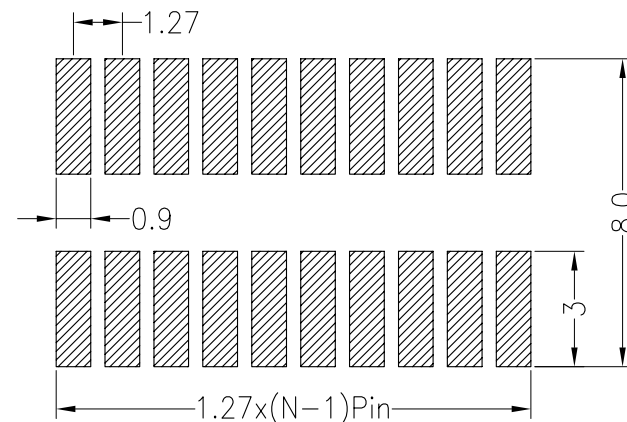
**SPECIFICATIONS**

Rated Current:1.0AMP  
 Contact Resistance:20mΩ Max  
 Withstand Voltage:500V AC/DC  
 Insulation Resistance:1000MΩ Min  
 Operation Temperature:-40°C to +105°C

Contact Material:Brass  
 Contact Plating:Au Over Ni  
 Insulator Material:Polyester(UL94V-0)  
 Standard: PA6T  
 Max.Processing Temp: 230°C for 30-60 seconds  
 (260°C for 10 seconds)



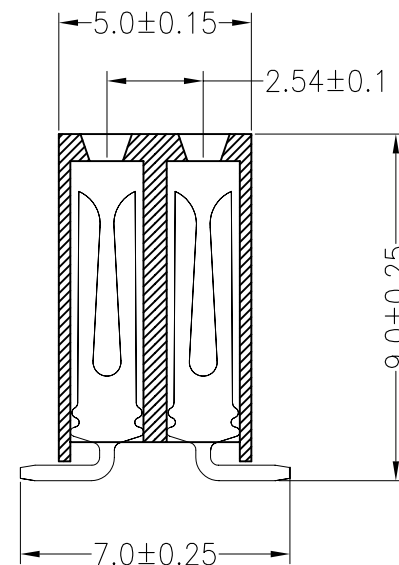
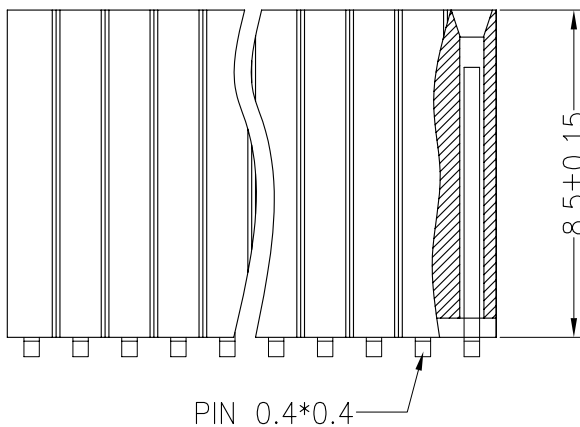
Recommended P.C.B Layout(Top Side)  
 (PCB BOARD TOLERANCE±0.05)



**Ordering Information**

2585 02 XX X N XX M Y X 01

- No.of Pins Per Row 2\*50
- Insulator Material Option  
 A=BK-PBT  
 B=BK-PA66  
 C=BK-PA6T  
 D=BK-PA46  
 F=BK-LCP
- Contact Plating  
 G0:Gold Flash  
 G2:5U" Gold  
 G3:10U" Gold  
 G4:15U" Gold  
 G5:30U" Gold  
 S0:Gold Flash/Tin  
 SN:Tin
- Packing  
 O=PE Bag  
 T=Tube  
 P=Tube+Cap  
 R=Reel+Cap  
 M=Reel+Mylar



				OPERATION		DRAW	YiYuSheng	15.01.28	SCALE	FIT	<b>JiLN</b> ® 深圳市锦凌电子有限公司 SHENZHEN JINLING ELECTRONIC CO.,LTD Tel: 86-755-2997-5806/5802 Fax: 86-755-2997-5992	
				X.X	±0.30				UNIT	mm		
				X.XX	±0.20	CHECK			SIZE	A4	PART NO.	258502XXXNXXMYX01
A0	2015.01.28	NEW DRAWING		X.XXX	±0.10				SHEET	1/1	TITLE:	1.27x2.54PF 2xNPin H8.5 SMT
REV	DATE	MODIFICATION DESCRIPTION		CHANGE		APPROVE			PROJ.			